

EFBE-SERIES ELECTRIC FLAT BAR CUTTERS

Spec Sheet

Enerpac introduces NEW Electric Flat Bar Cutters

The Electric Flat Bar Cutters enhance workplace safety by replacing unsafe cutting methods with a precise, controlled cutting solution. The Cutters are perfect for use in industrial manufacturing facilities as well as steel and metal fabrication shops.

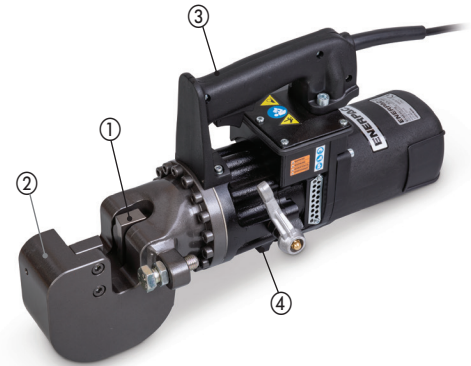
KEY FEATURES:

PRODUCTIVITY

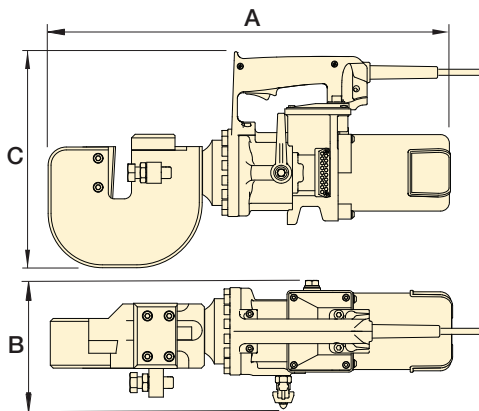
- Cut through high-tensile flat bar in seconds
- Highly durable, long-lasting blades offer increased longevity and less down time

SAFETY

- Controlled cutting process enhances operator safety
- Minimal spark risk compared to torching, grinding and sawing methods



- ① Highly durable blades cut through flat bar, maintaining effectiveness throughout rigorous use
- ② Heavy-duty cutting head provides a longer operational life
- ③ Robust handle enables easy positioning and transport
- ④ Piston-release mechanism allows blade to be retracted, providing a controlled cutting process and reducing jamming



Voltage: (Model No. ending with suffix)

B = 120V, 60 Hz (with American-style NEMA 6-15 plug)

E = 230V, 50 Hz (with European-style SCHUKO plug)

Max. Material Dimensions* (in)		Power Specifications				Model Number	Maximum Material Tensile Strength* (psi)	Maximum Material Hardness* (HRc)	Maximum Cutting Force (tons)	Cord Length (ft)	Dimensions (in)			Wt. (lbs)
Height	Width	Volts	Hz	Amps	Watts						A	B	C	
1.96	0.67	120	60	11.0	1300	EFBE5017B	65,267	33	29.8	6	19.0	6.9	10.7	46
1.96	0.67	230	50	6.8	1400	EFBE5017E	65,267	33	29.8	10	19.0	6.9	10.7	46
2.75	0.59	120	60	11.0	1300	EFBE7015B	65,267	33	29.8	6	21.9	6.9	11.3	66
2.75	0.59	230	50	6.8	1400	EFBE7015E	65,267	33	29.8	10	21.9	6.9	11.3	66

* Maximum material properties indicated refer to the material to be cut.

03-070144718_11