

ECCE-SERIES ELECTRIC CHAIN CUTTERS

Spec Sheet

Enerpac introduces NEW Electric Chain Cutters

The new Enerpac Chain Cutters are your simple solution for cutting high-strength industrial chain. The tool cuts chain links behind an enclosed, transparent safety guard, protecting the operator from potential injury while allowing the operator to safely monitor the cutting process.

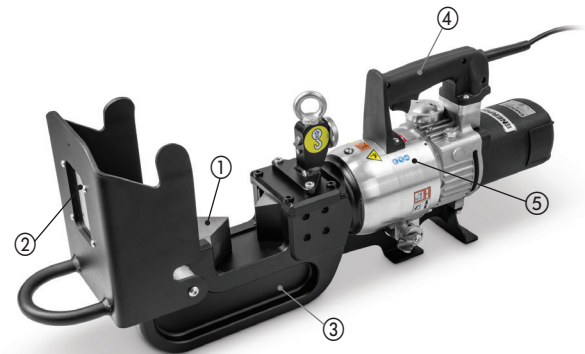
KEY FEATURES:

PRODUCTIVITY

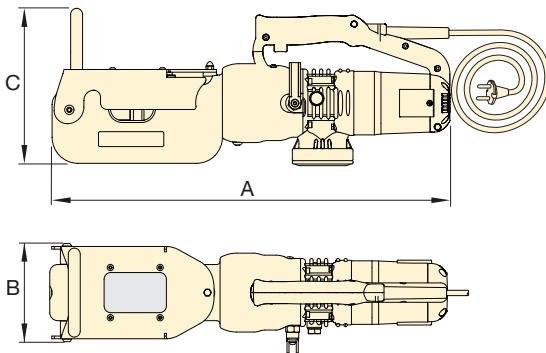
- Quickly cut through heavy-duty chain links with minimal effort
- Highly durable blades outlast angle grinder or saw blades

SAFETY

- Controlled cutting process behind a protective shield enhances safety
- Minimal spark risk compared to torching, grinding and sawing methods
- Cutters produce minimal vibration, helping prevent HAVS (Hand Arm Vibration Syndrome)



- Highly durable blades cut through heavy-duty chain, maintaining effectiveness throughout rigorous use
- Transparent safety guard protects hands and allows continuous monitoring for better management of cutting process
- Heavy-duty cutting head provides a longer operational life
- Lifting handle and eyebolt enable easy positioning and transport
- Double-acting cylinder improves control and reduces jamming



Voltage: (Model No. ending with suffix)

B = 120V, 60 Hz (with American-style NEMA 6-15 plug)

E = 230V, 50 Hz (with European-style SCHUKO plug)

Max. Material Diameter* (in)		Power Specifications				Model Number	Maximum Material Hardness* (HRc)	Maximum Cutting Force (tons)	Dimensions (in)			Cord Length (ft)	Wt. (lbs)	Replacement Blade Kit Number
Grade 40	Grade 80	Volts	Hz	Amps	Watts				A	B	C			
1.25	1.00**	120	60	11.0	1300	ECCE32B	46	52.9	27.5	7.5	12.6	6	106	ECCE3201K
1.25	1.00**	230	50	6.8	1400	ECCE32E	46	52.9	27.5	7.5	12.6	10	106	ECCE3201K

* Cutting larger chains or those of a grade higher than those recommended will result in increased wear, and may damage the tool. The risk of this may be minimized by cutting one link side at a time. See instruction manual for more information.

** One-inch grade 80 chain must be cut one side of the link at a time.

03-070144618_11